

 ICOM

VHF MARINE TRANSCEIVER

IC-M323

Top Performance, Great Value



Powerful, Compact VHF/DSC with Icom Value and Reliability



New Icom Marine Family User Interface
Shares same user interface operation with IC-M423.



High Definition Dot-Matrix Display



Meets Latest Class D DSC Specifications



IPX7 Waterproof
1m depth water for 30 minutes.



Common NMEA Interface
For GPS/NAV Connection.



AquaQuake™ Draining Function



MA-500TR AIS Transponder Compatible



MarineCommander™ Compatible



Also available in super white version.

New Intuitive User Interface

Icom's common Marine Family User Interface provides simple operation for the boat owner. A rotary selector, directional keypad provides intuitive operation. The high definition dot-matrix display allows all information to be clearly viewed.

Built-in Class D DSC

The built-in DSC watch function monitors Ch. 70 (DSC channel) activity, even while you are receiving another channel. DSC functions include: distress, individual, group, all ships, urgency, safety, position request/report, polling request and DSC test calls.

Common NMEA Interface

When connected to an external GPS receiver, current position and time are shown on the IC-M323's display. When receiving DSC information from another vessel, the IC-M323 can transfer it to a navigational device via NMEA 0183 connectivity.

Compatible with MA-500TR Class B AIS Transponder

The IC-M323 can be integrated with the MA-500TR Class B AIS Transponder allowing you to transmit DSC individual calls to a selected vessel instantly without manual MMSI entry; very handy if you are waiting to contact vessels on the AIS screen, an essential safety feature in an emergency.

IPX7 Waterproof Protection

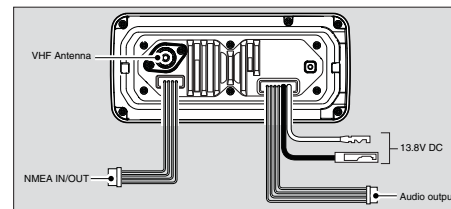
The IC-M323 withstands submersion in up to 1.0m depth of water for 30 minutes. It is equivalent to the IPX7 standard.

Favorite Channel Function

This function allows for quicker channel selection. Set the "Tag" channel to the channels used most often. When pushing the up/down buttons on the hand microphone, only the tagged channels are selected, while untagged channels are skipped.

And More

- MarineCommander™ compatible
- AquaQuake™ water draining function
- Dual/tri-watch function for monitoring Ch.16 and/or call channel
- Black and super white versions available.



OPTIONS

CLASS B AIS TRANSPONDER <p>MA-500TR</p>	FLUSH MOUNT KIT <p>MB-132</p>
---	---

HM-200B/SW
HAND MICROPHONE
Same as supplied.

SPECIFICATIONS

GENERAL		
Frequency range	Tx Rx CH70	156.000-161.450MHz 156.000-163.425MHz 156.525MHz
Usable channels		INT, USA* channels * Available depending on version
Type of emission		16K0G3E (FM), 16K0G2B (DSC)
Power supply requirement		13.8V DC nominal (10.8-15.6V DC)
Current drain	Tx 25W output Rx Max. audio	5.5A 1.5A
Operating temperature range		-20°C to +60°C
Antenna impedance		50Ω (SO-239)
Dimensions (WxHxD) (projections not included)		180x82x119.9mm
Weight (approx.)		1.2kg
NMEA in/out formats		RMC, GGA, GNS, GLL, DSC, DSE
TRANSMITTER		
Output power		25W, 1W
Max. frequency deviation		±5.0kHz
Frequency stability		Less than ±1.5kHz
Spurious emissions		Less than 0.25µW

RECEIVER		
Sensitivity	Main DSC	-5dBµ emf typ. (20dB SINAD) -4dBµ emf typ. (1% BER)
Squelch sensitivity	Main	Less than -2dBµ emf
Adjacent channel selectivity	Main DSC	More than 70dB More than 73dBµ emf (1% BER)
Spurious response	Main DSC	More than 70dB More than 73dBµ emf (1% BER)
Intermodulation	Main DSC	More than 68dB More than 68dBµ emf (1% BER)
Hum and noise		More than 40dB
Audio output power (at 10% distortion, 4Ω load)		More than 2W

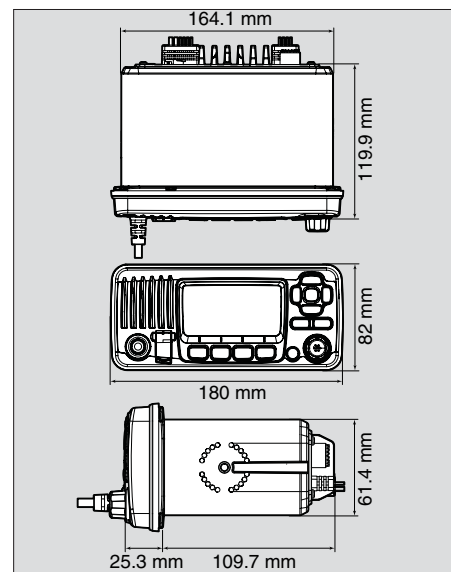
Measurements made in accordance with EN 301 025-2, -3. All stated specifications are subject to change without notice or obligation.

Applicable IP Rating

Ingress Protection Standard	
Water	IPX7 (Waterproof protection)

Supplied accessories:

- Hand microphone, HM-200B/SW
- DC power cable
- Mounting bracket kit



Icom, Icom Inc. and the Icom logo are registered trademarks of Icom Incorporated (Japan) in the United States, the United Kingdom, Germany, France, Spain, Russia, Japan and/or other countries. MarineCommander and AQUAQUAKE are trademarks of Icom Inc. (Japan). All other trademarks are the properties of their respective holders.

Icom Inc.

1-132, Kami-minami, Hirano-ku, Osaka 547-0003, Japan Phone: +81 (06) 6793 5302 Fax: +81 (06) 6793 0013

www.icom.co.jp/world

Count on us!

Icom America Inc.

2380 116th Avenue NE,
Bellevue, WA 98004, U.S.A.
Phone : +1 (425) 454-8155
Fax : +1 (425) 454-1509
E-mail : sales@icomamerica.com
URL : <http://www.icomamerica.com>

Icom Canada

Glenwood Centre #150-6165 Highway 17,
Delta, B.C., V4K 5B8, Canada
Phone : +1 (604) 952-4266
Fax : +1 (604) 952-0090
E-mail : info@icomcanada.com
URL : <http://www.icomcanada.com>

Icom Brazil

Rua Itororó, 444 Padre Eustáquio
Belo Horizonte MG,
CEP: 30130-150, Brazil
Phone: +55 (31) 3582 8847
Fax : +55 (31) 3582 8987
E-mail : sales@icombrasil.com

Icom (Europe) GmbH

Communication Equipment
Auf der Krautweide 24
65812 Bad Soden am Taunus, Germany
Phone: +49 (6196) 76685-0
Fax : +49 (6196) 76685-50
E-mail : info@icom-europe.com
URL : <http://www.icom-europe.com>

Icom Spain S.L.

Ctra. Rubi, No. 88 "Edificio Can Castanyer"
Bajos A 08174, Sant Cugat del Valles,
Barcelona, Spain
Phone: +34 (93) 590 26 70
Fax : +34 (93) 589 04 46
E-mail : icom@icomspain.com
URL : <http://www.icomspain.com>

Icom Polska Sp. Z o.o.

80-286 Gdansk, Jaskowa Dolina St. 75, Poland
Phone: +48 (58) 551 0484
Fax : +48 (58) 551 4720
E-mail : icompolska@icompolska.com.pl
URL : <http://www.icompolska.com.pl>

Icom (UK) Ltd.

Blacksale House, Altria Park,
Herne Bay, Kent, CT6 6GZ, U.K.
Phone : +44 (0) 1227 741741
Fax : +44 (0) 1227 741742
E-mail : info@icomuk.co.uk
URL : <http://www.icomuk.co.uk>

Icom France s.a.s.

Zac de la Plaine,
1 Rue Brindejone des Moulinais, BP 45804,
31505 Toulouse Cedex 5, France
Phone : +33 (5) 61 36 03 03
Fax : +33 (5) 61 36 03 00
E-mail : icom@icom-france.com
URL : <http://www.icom-france.com>

Icom (Australia) Pty. Ltd.

Unit 1 / 103 Garden Road,
Clayton, VIC 3168 Australia
Phone : +61 (03) 9549 7500
Fax : +61 (03) 9549 7505
E-mail : sales@icom.net.au
URL : <http://www.icom.net.au>

Icom New Zealand

146A Harris Road, East Tamaki,
Auckland, New Zealand
Phone : +64 (09) 274 4062
Fax : +64 (09) 274 4708
E-mail : inquiries@icom.co.nz
URL : <http://www.icom.co.nz>

Asia Icom Inc.

6F No. 68, Sec. 1 Cheng-Teh Road,
Taipei, Taiwan, R.O.C.
Phone : +886 (02) 2559 1899
Fax : +886 (02) 2559 1874
E-mail : sales@asia-icom.com
URL : <http://www.asia-icom.com>

Your local distributor/dealer: